

TECHNICAL INFORMATION



PRODUCT

P 1 / 7

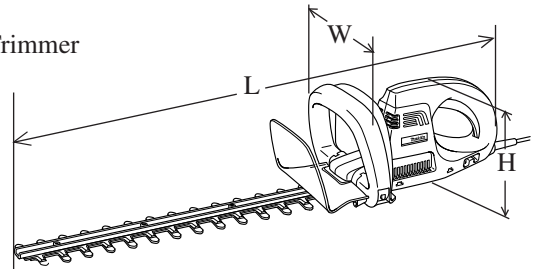
Models No. ▶ UH4050, UH4850, UH5550, UH6350

Description ▶ 400mm, 480mm, 550mm, 630mm Hedge Trimmer

CONCEPTION AND MAIN APPLICATIONS

These new Hedge Trimmers are optimum for tough trimming works thanks to the more precise engagement of shear blade assembly with crank section.

And the shear blades can be changed quickly without disassembling the machine.



Model No.		UH4050	UH4850	UH5550	UH6350
Length (L)	mm	780	850	928	995
	(")	30-3/4	33-1/2	36-1/2	39-1/8
Height (H)	mm	200			
	(")	7-7/8			
Width (W)	mm	215			
	(")	8-1/2			

► Specification

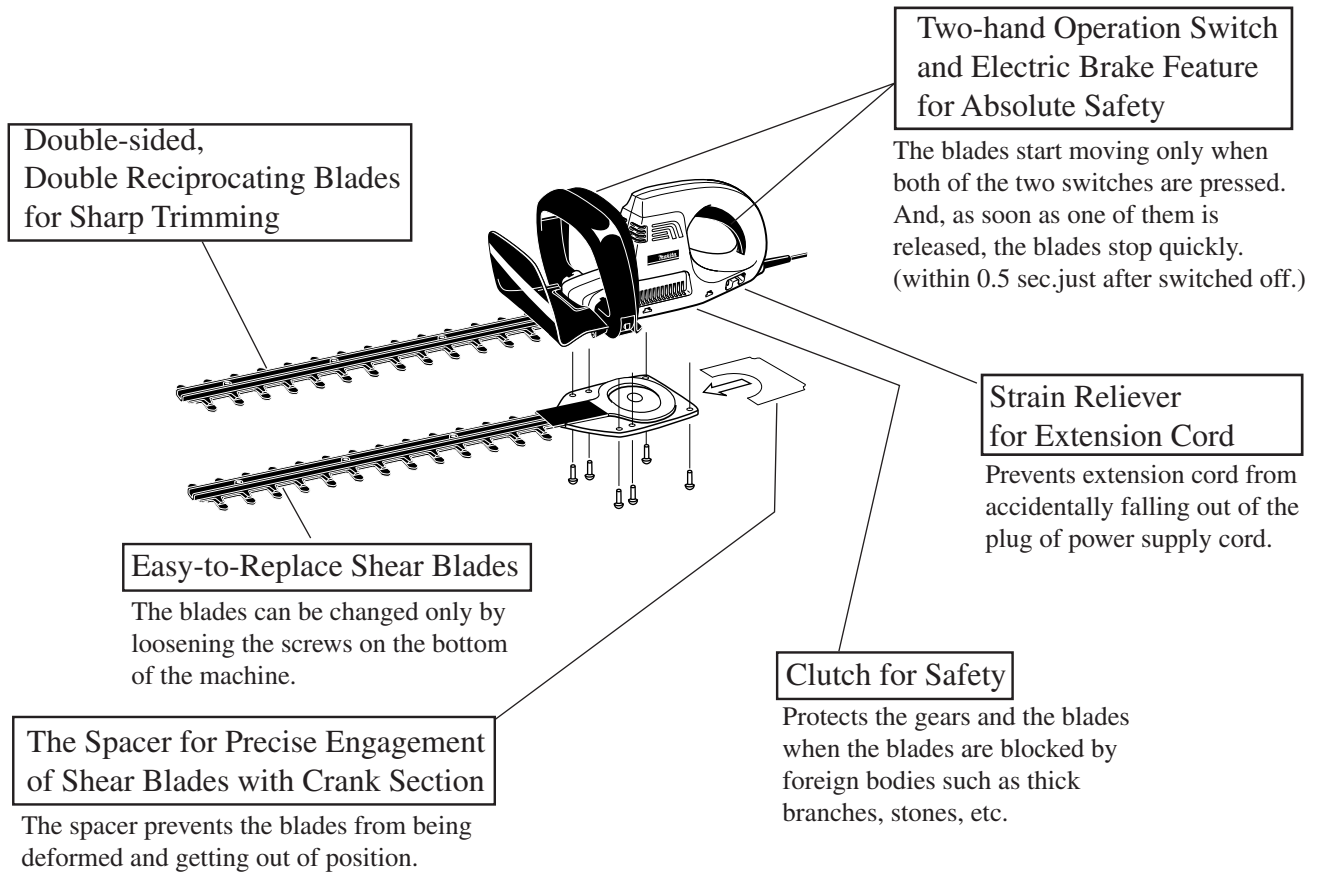
Voltage (V)	Current (A)	Cycle (Hz)	Continuous Rating (W)		Max. Output(W)
			Input	Output	
120	4.6	50 / 60	500	230	400
220	2.4	50 / 60	500	230	400
230	2.3	50 / 60	500	230	400
240	2.2	50 / 60	500	230	400

Model No.		UH4050	UH4850	UH5550	UH6350
No load speed :spm. (min-1)		1,500			
Blade length : mm (")	Other countries	400 (15-3/4)	480 (18-7/8)	550 (21-5/8)	630 (24-3/4)
	U.S.A. / Canada			450 (17-3/4)	520 (20-1/2)
Electric brake		Yes			
Clutch		Yes			
Cord length : m (ft)		0.3 (0.98)			
Net weight :Kg (lbs)		3.3 (7.3)	3.4 (7.5)	3.5 (7.7)	3.6 (7.9)

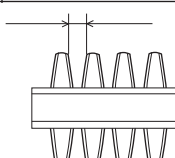
► Standard equipment

* Blade cover 1 pc.

< Note > The standard equipment for the tool shown may differ from country to country.



► **Comparison of products**

Model No.		Makita		Competitor A		Competitor B	
		UH4050	UH4850	A-1	A-2	B - 1	B - 2
Specifications		UH5550	UH6350	A-3		B - 3	B - 4
Rated power Input (W)		500		500		420	
Rated Amps on 120V (A)		4.6		—		—	
Strokes per min. : spm. = min. ⁻¹		1,500		1,600		1,500	
Length of stroke : mm (")		18 (11/16)		18 (11/16)		18 (11/16)	
Effective cutting length : mm (")	other countries	400 (15-3/4)	480 (18-7/8)	450 (17-3/4)	550 (21-5/8)	400 (15-3/4)	480 (18-7/8)
	U.S.A. / Canada	550 (21-5/8)	630 (24-3/4)	650 (25-1/2)		550 (21-5/8)	600 (23-5/8)
Space between teeth: mm (")		21 (13/16)		20 (13/16)		22 (7/8)	
Clutch		Yes		Yes		Yes	
Protection from electric shock		by double insulation		by double insulation		by double insulation	
Cord length : m (ft)		0.3 (0.98)		0.2 (0.7)		0.3 (1.0)	
Net weight : Kg (lbs)		3.2 (7.1)	3.3 (7.3)	3.3 (7.3)	3.5 (7.7)	3.1 (6.8)	3.2 (7.1)
		3.4 (7.5)	3.5 (7.7)	3.7 (8.2)		3.3 (7.3)	3.3 (7.3)
Standard equipment		Blade cover		Blade cover		Blade cover	

< 1 > Lubrication

Apply the MAKITA grease N.No.1 to the following parts, when repairing or maintaining.

- ① The gear installing portion of motor housing : approx. 6g
- ② The teeth of helical gear : approx. 3g
- ③ Crank : approx. 1g
- ④ Pin 8 : approx. 1g

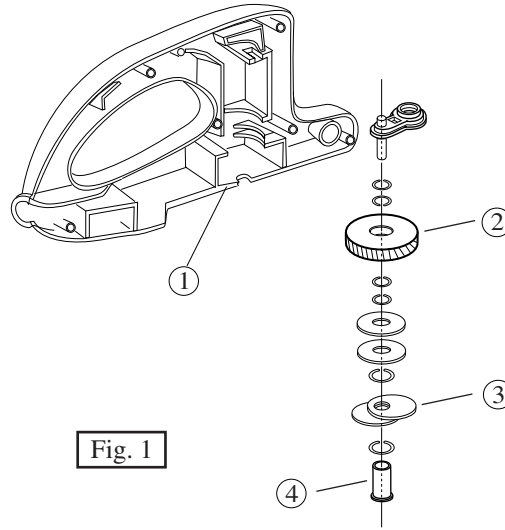


Fig. 1

< 2 > Disassembling shear blade assembly

1. Unscrew pan head screw M5 x 18, and disassemble under cover by sliding it in the direction of arrow as illustrated in Fig. 2.

(Only for the machine for USA. and Canada)

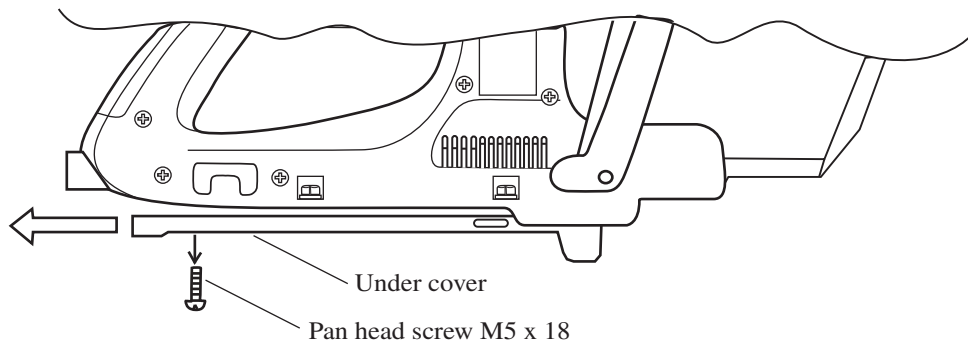


Fig. 2

2. Unscrew 6 pan head screws marked with arrow, and disassemble shear blade assembly from motor housing as illustrated in Fig. 3.

< Note > In case may be, gear assembly 65 can be disassembled together with shear blade assembly in this process. Be careful, not to give damage on gear assembly 65 by falling it down.

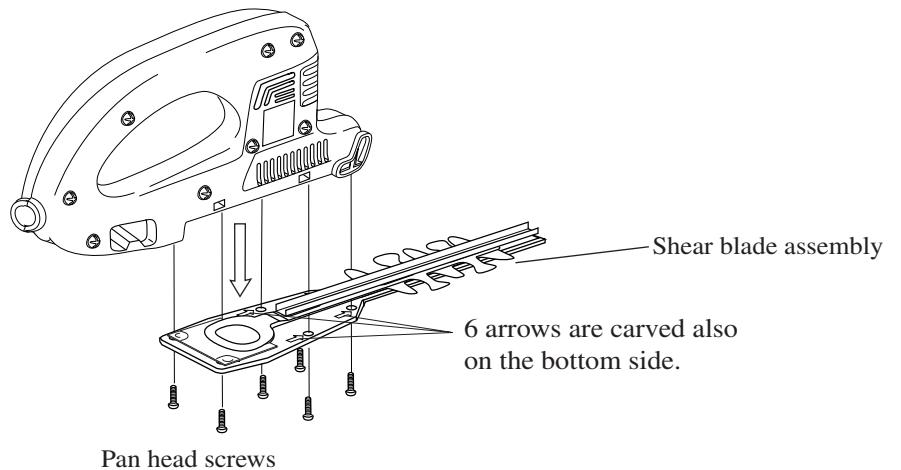
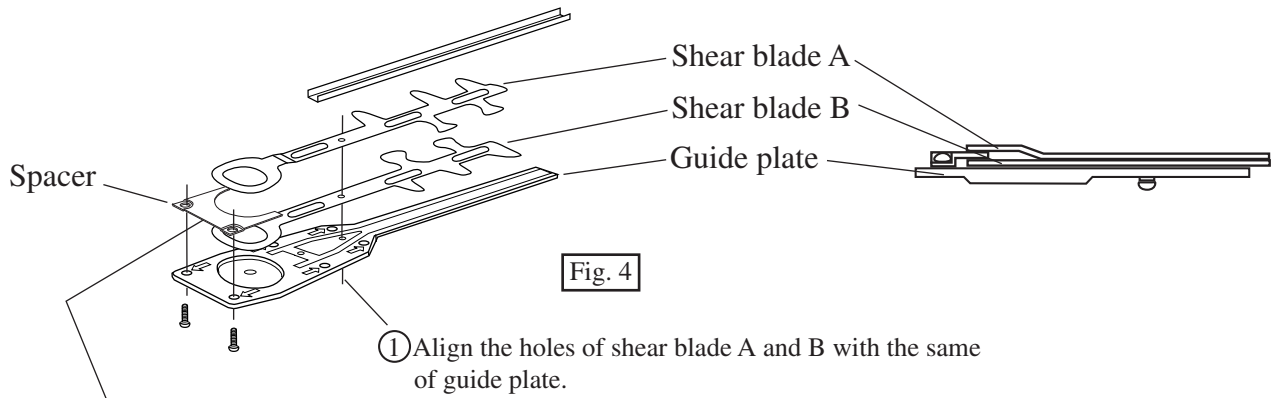


Fig. 3

< 3 > Assembling shear blade assembly



- ② Insert spacer between shear blade A and B with aligning its holes with the same of guide plate.
For easily assembling spacer, it is recommended to insert pan head screws into the screw holes of guide plate in advance.

- ③ Turn crank until its position comes to right angle against the joint line of housing R and L, as illustrated in Fig.5. Otherwise the crank can not engage with the elliptic holes of shear blade A and B.

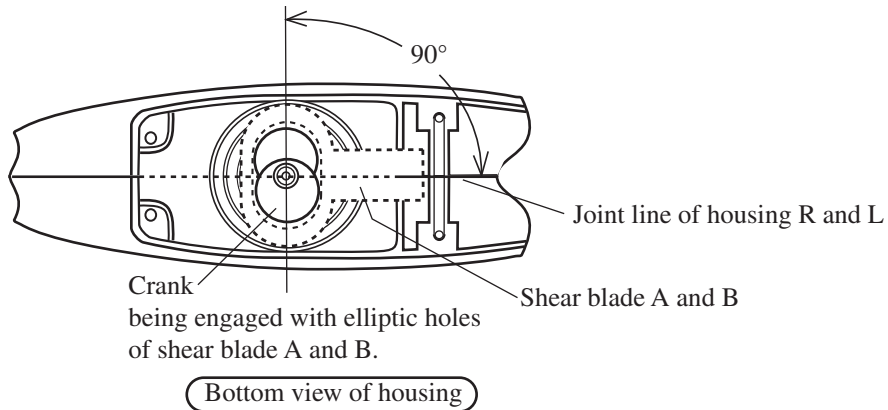


Fig. 5

- ④ Assemble shear blade assembly to housing by fastening with 6 pan head screws as illustrated in Fig. 6.

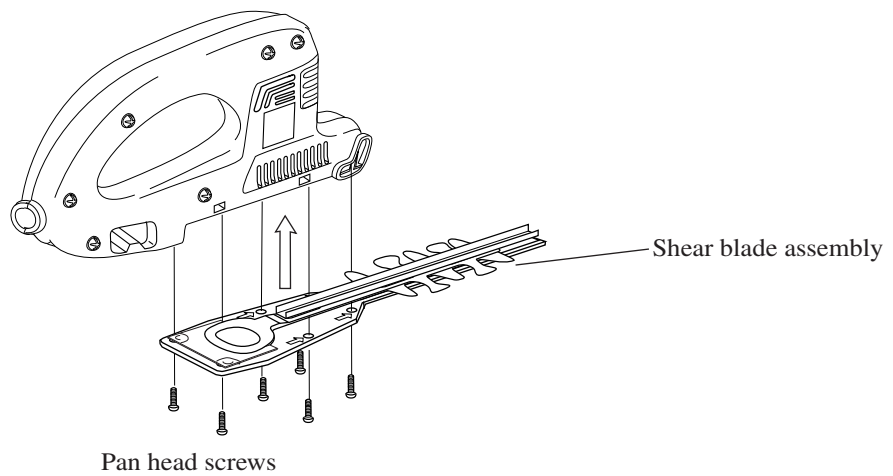
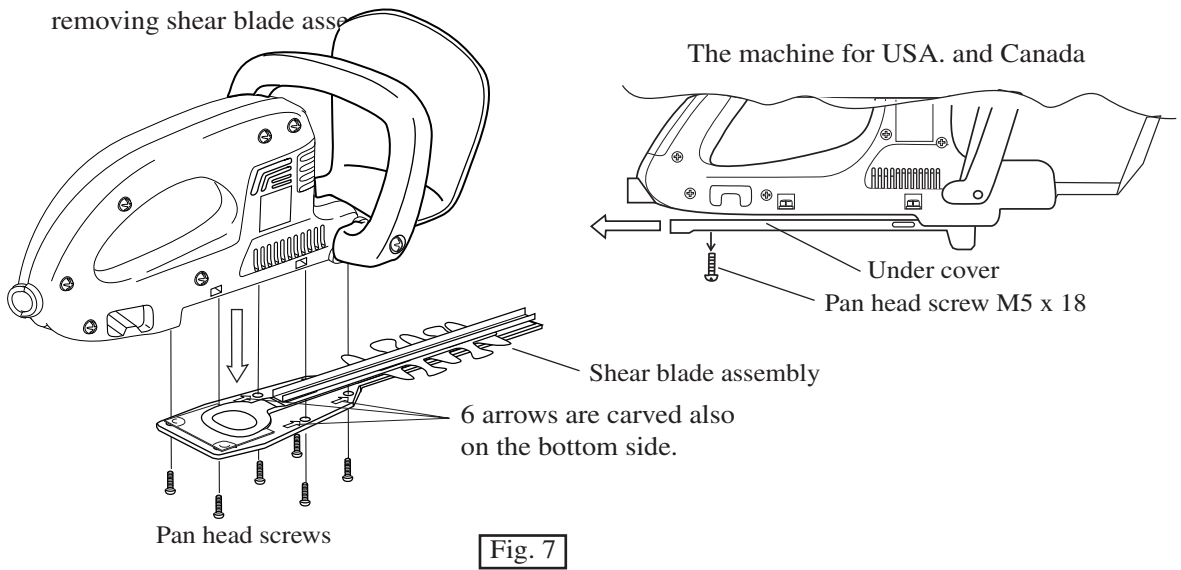


Fig. 6

< 4 > Disassembling housing

(1) Disassemble shear blade assembly from housing. as illustrated in Fig. 7.

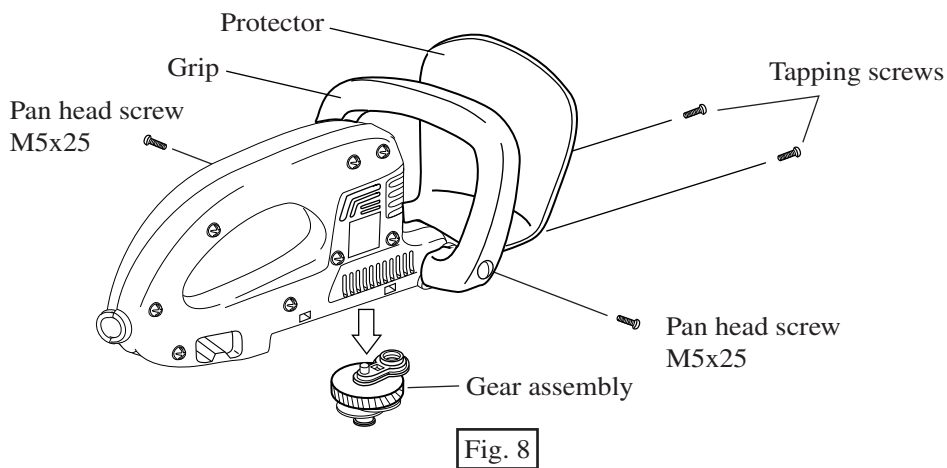
< Note > In case of the machine for USA. and Canada, under cover has to be disassembled, before removing shear blade assembly.



(2) Disassemble gear assembly from housing. as illustrated in Fig. 8

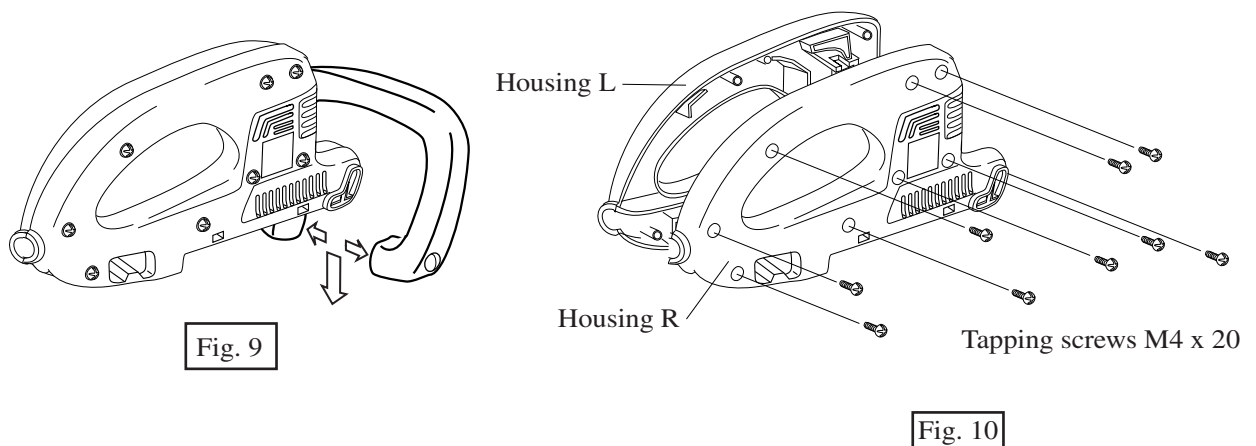
(3) Disassemble protector from grip by unscrewing 2 tapping screws as illustrated in Fig. 8

(4) Unscrew 2 pan head screws M5x25 as illustrated in Fig. 8







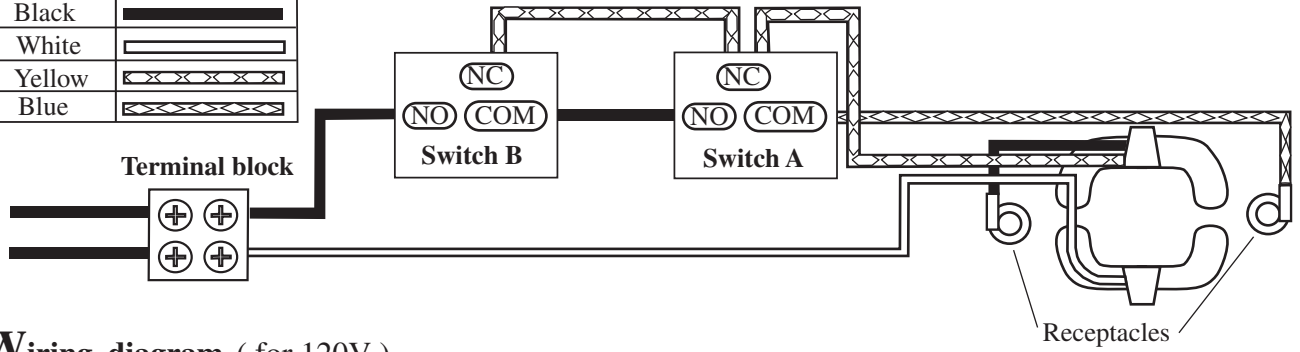
(5) Pull down grip expanding it to the both side as illustrated in Fig. 9

(6) Disassemble housing by unscrewing 9 tapping screws M4 x 20 as illustrated in Fig. 10.

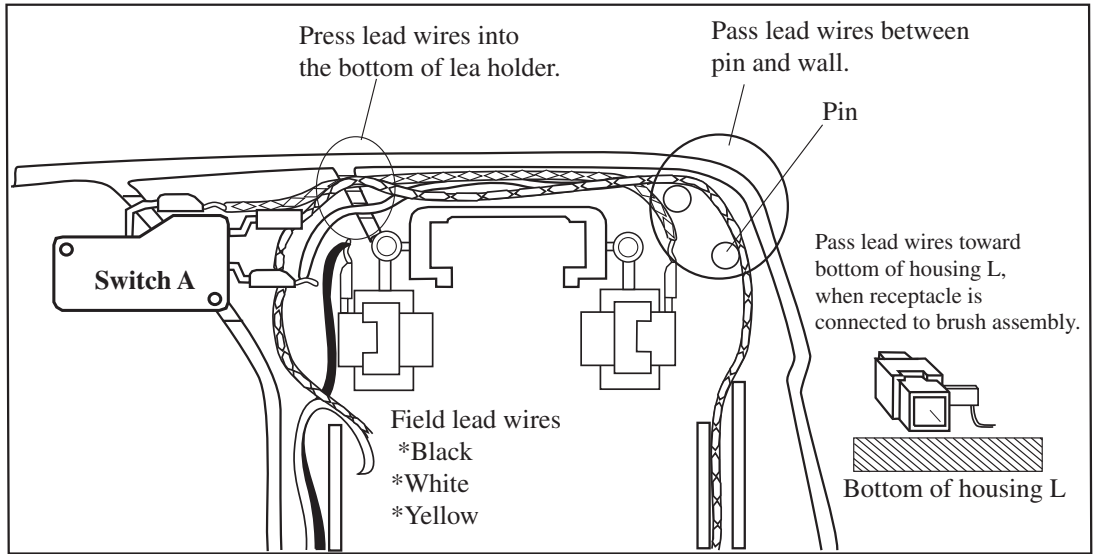


► **Circuit diagram (for 120V)**

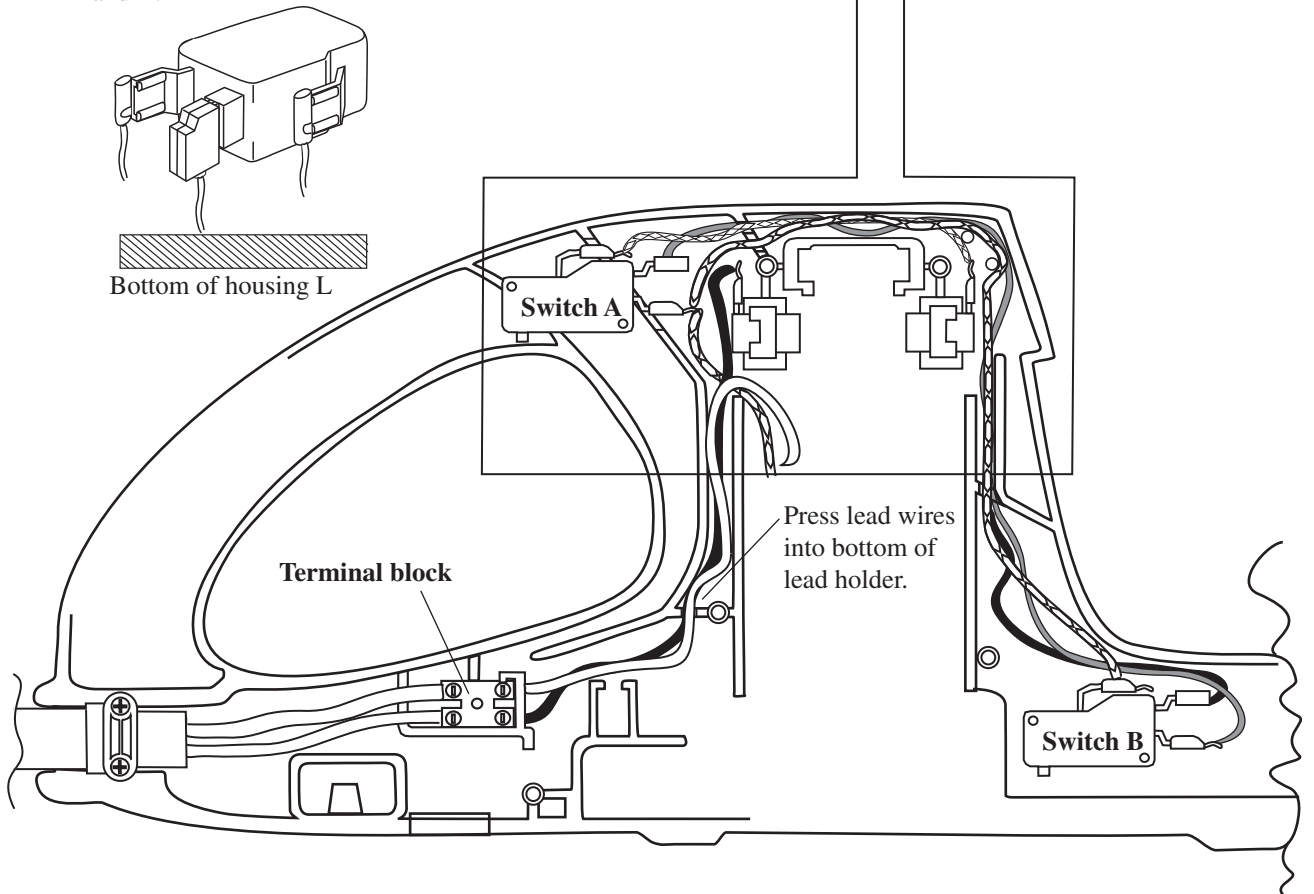
Color index of lead wires	
Black	
White	
Yellow	
Blue	



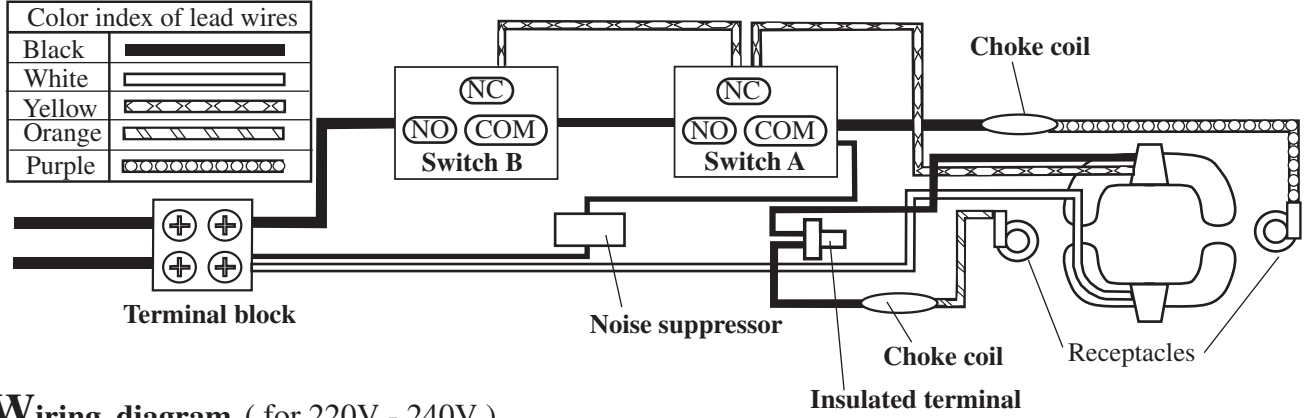
► **Wiring diagram (for 120V)**



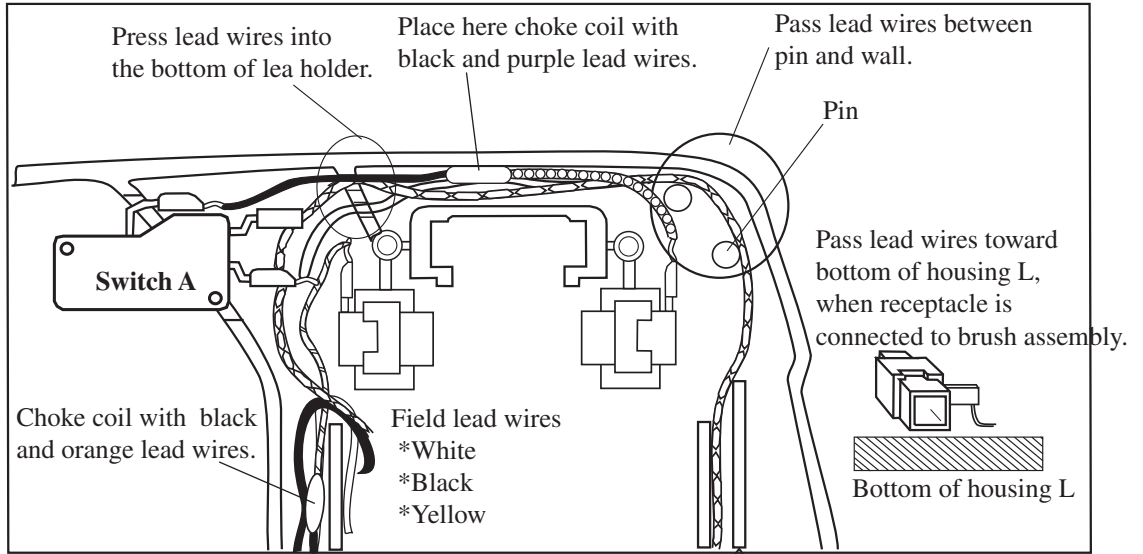
Route lead wires toward bottom of housing L, when receptacles are connected to switches A and B.



▶ **Circuit diagram** (for 220V - 240V)



▶ **Wiring diagram** (for 220V - 240V)



Route lead wires toward bottom of housing L, when receptacles are connected to switches A and B.

