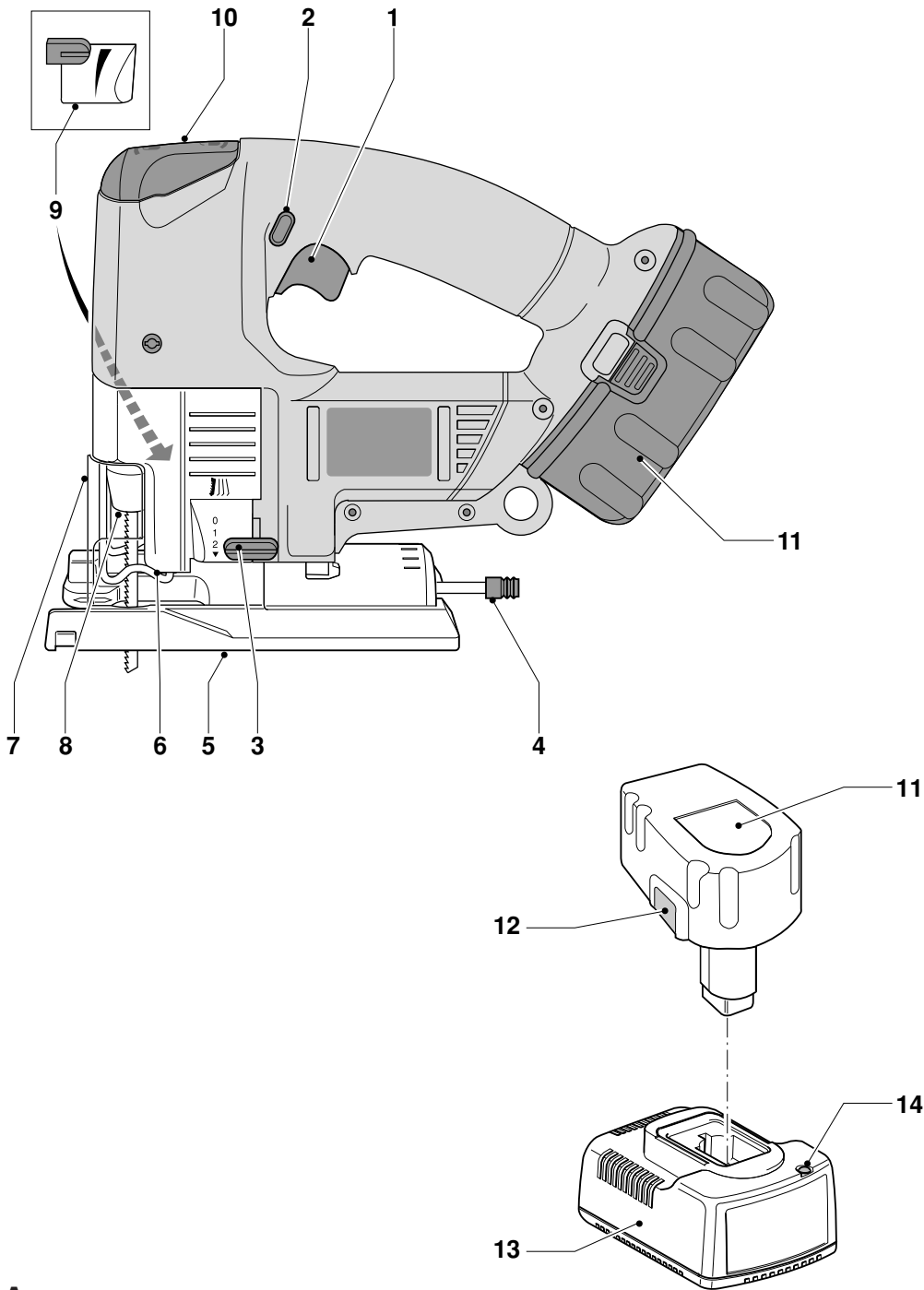
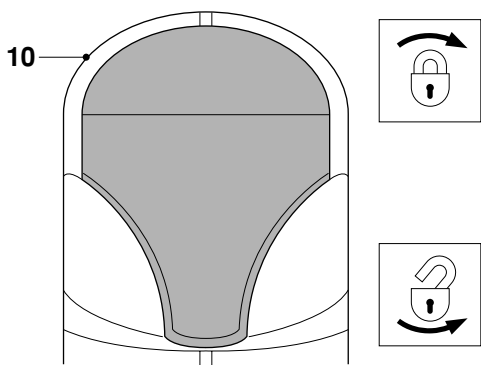


**DEWALT®**

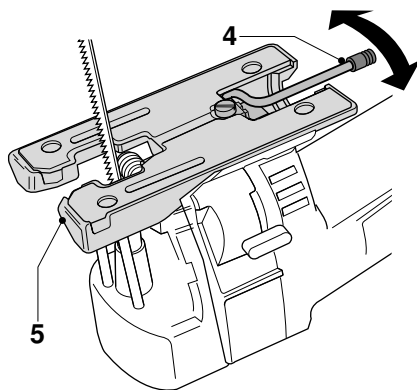
**DW933K**  
**DW933K2**



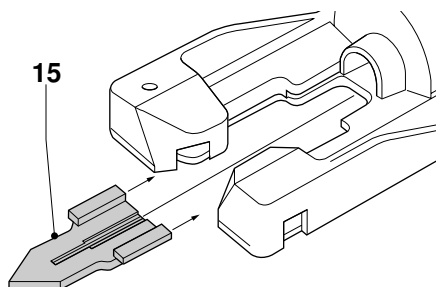
**A**



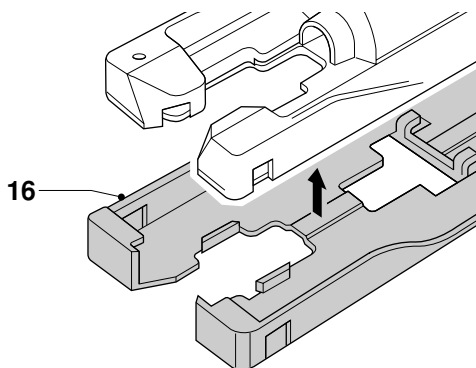
**B**



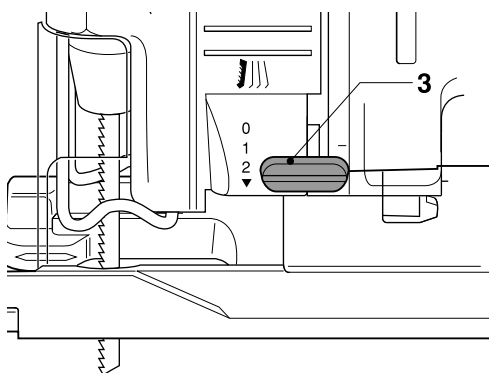
**C**



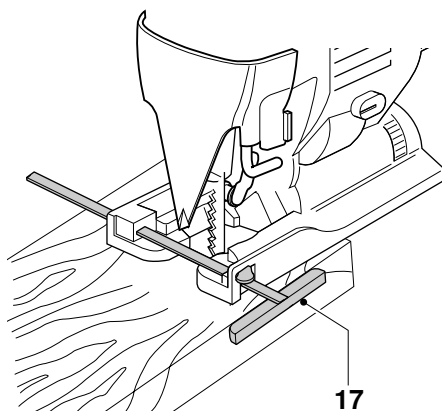
**D**



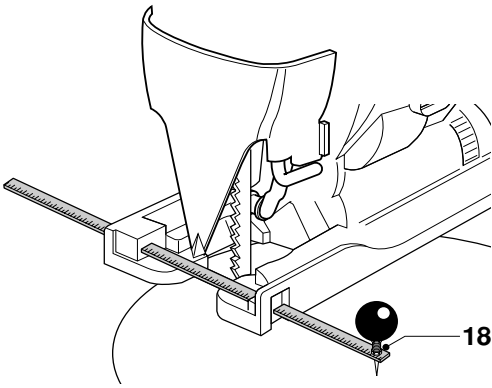
**E**



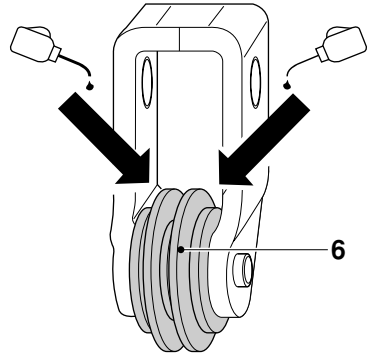
**F**



**G**



**H**



**I**

# CORDLESS JIGSAW DW933K(2)

## Congratulations!

You have chosen a DeWALT Power Tool. Years of experience, thorough product development and innovation make DeWALT one of the most reliable partners for professional Power Tool users.

## Table of contents

Technical data	en - 1
EC-Declaration of conformity	en - 1
Safety instructions	en - 2
Package contents	en - 3
Description	en - 4
Electrical safety	en - 4
Mains plug replacement (U.K. & Ireland only)	en - 4
Using an extension cable	en - 4
Assembly and adjustment	en - 4
Instructions for use	en - 5
Maintenance	en - 6
Guarantee	en - 7

## Technical data

		DW933K(2)	
Voltage	V		18.0
No load speed	min <sup>-1</sup>	0-2,000	
Stroke length	mm	26	
Cutting depth in:			
- wood	mm	65	
- aluminium	mm	20	
- steel	mm	10	
Bevel angle range	(left and right)	0 - 45°	
Weight (without battery pack)	kg	2.3	

Battery pack		DE9095	
Voltage	V		18.0
Capacity	Ah	2.0	
Weight	kg	1.0	

Charger		DE9108	
Mains voltage	V		230
Charge current			
normal mode	A	2.8	
equalise mode	mA	120	
maintenance mode	mA	40	
Charging time	min	50	
Weight	kg	0.4	

Fuses:		
Europe	230 V tools	10 Amperes, mains
U.K. & Ireland	230 V tools	13 Amperes, in plugs

The following symbols are used throughout this manual:



Denotes risk of personal injury, loss of life or damage to the tool in case of non-observance of the instructions in this manual.



Denotes risk of electric shock.



Fire hazard!

## EC-Declaration of conformity



### DW933K(2)

DeWALT declares that these Power Tools have been designed in compliance with: 89/392/EEC, 89/336/EEC, 73/23/EEC, EN 50144, EN 55104 / EN 55014-2, EN 55014, EN 61000-3-2 & EN 61000-3-3.

For more information, please contact DeWALT at the address below, or refer to the back of the manual.

Level of sound pressure according to 86/188/EEC & 89/392/EEC, measured according to EN 50144:

		DW933K(2)	
L <sub>PA</sub>	(sound pressure)	dB(A)*	88
L <sub>WA</sub>	(acoustic power)	dB(A)	93

\* at the operator's ear



Take appropriate measures for the protection of hearing if the sound pressure of 85 dB(A) is exceeded.

Weighted root mean square acceleration value according to EN 50144:

DW933K(2)

< 2.5 m/s<sup>2</sup>

Director Engineering and Product Development  
Horst Großmann



DeWALT, Richard-Klinger-Straße 40,  
D-65510, Idstein, Germany

## Safety instructions

When using Power Tools, always observe the safety regulations applicable in your country to reduce the risk of fire, electric shock and personal injury. Read the following safety instructions before attempting to operate this product. Keep these instructions in a safe place!

### General

#### 1 Keep work area clean

Cluttered areas and benches can cause accidents.

#### 2 Consider work area environment

Do not expose Power Tools to humidity. Keep work area well lit. Do not use Power Tools in the presence of flammable liquids or gases.

#### 3 Guard against electric shock

Prevent body contact with earthed surfaces (e.g. pipes, radiators, cookers and refrigerators). For use under extreme conditions (e.g. high humidity, when metal swarf is being produced, etc.) electric safety can be improved by inserting an isolating transformer or a (FI) earth-leakage circuit-breaker.

#### 4 Keep children away

Do not let children come into contact with the tool or extension cord. Supervision is required for those under 16 years of age.

#### 5 Store idle tools

When not in use, Power Tools must be stored in a dry place and locked up securely, out of reach of children.

#### 6 Dress properly

Do not wear loose clothing or jewellery.

They can be caught in moving parts.

Preferably wear rubber gloves and non-slip footwear when working outdoors. Wear protective hair covering to keep long hair out of the way.

#### 7 Wear safety goggles

Also use a face or dust mask in case the operations produce dust or flying particles.

#### 8 Beware of maximum sound pressure

Take appropriate measures for the protection of hearing if the sound pressure of 85 dB(A) is exceeded.

#### 9 Secure workpiece

Use clamps or a vice to hold the workpiece. It is safer and it frees both hands to operate the tool.

#### 10 Do not overreach

Keep proper footing and balance at all times.

#### 11 Stay alert

Watch what you are doing. Use common sense. Do not operate the tool when you are tired.

#### 12 Remove adjusting keys and wrenches

Always check that adjusting keys and wrenches are removed from the tool before operating the tool.

#### 13 Use appropriate tool

The intended use is described in this instruction manual. Do not force small tools or attachments to do the job of a heavy-duty tool.

The tool will do the job better and safer at the rate for which it was intended.

**Warning!** The use of any accessory or attachment or performance of any operation with this tool, other than those recommended in this instruction manual may present a risk of personal injury.

#### 14 Maintain tools with care

Keep the tools in good condition and clean for better and safer performance.

Follow the instructions for maintenance and changing accessories. Inspect the tool cords at regular intervals and, if damaged, have them repaired by an authorized DeWALT repair agent. Keep all controls dry, clean and free from oil and grease.

#### 15 Check for damaged parts

Before using the tool, carefully check it for damage to ensure that it will operate properly and perform its intended function.

Check for misalignment and seizure of moving parts, breakage of parts and any other conditions that may affect its operation.

Have damaged guards or other defective parts repaired or replaced as instructed.

Do not use the tool if the switch is defective.

Have the switch replaced by an authorized DeWALT repair agent.



Do not charge damaged battery packs



Read instruction manual before use



Use only with DeWALT battery packs, others may burst, causing personal injury and damage



Do not expose to water



Have defective cords replaced immediately



Charge only between 4 °C and 40 °C



Discard the battery pack with due care for the environment



Do not incinerate the battery pack

### 16 Remove the battery pack

Remove the battery pack when not in use, before servicing and when changing accessories.

### 17 Have your tool repaired by an authorized DeWALT repair agent

This Power Tool is in accordance with the relevant safety regulations. To avoid danger, electric appliances must only be repaired by qualified technicians.

### Additional safety instructions for battery packs



Fire hazard! Avoid metal short circuiting the contacts of a detached battery pack (e.g. keys carried in the same pocket as a battery pack).

- The battery fluid, a 25-30% solution of potassium hydroxide, can be harmful. In case of skin contact, flush immediately with water. Neutralize with a mild acid such as lemon juice or vinegar. In case of eye contact, rinse abundantly with clean water for at least 10 minutes. Consult a physician.
- Never attempt to open a battery pack for any reason.

### Labels on charger and battery pack

In addition to the pictographs used in this manual, the labels on the charger and the battery pack show the following pictographs:



Battery charging



Battery charged



Battery defective



Do not probe with conductive objects

### Package contents

The package contains:

- 1 Cordless jigsaw
- 1 Battery pack (DW933K)
- 2 Battery packs (DW933K2)
- 1 Charger
- 3 Blades
- 1 Anti-splinter shoe insert
- 1 Anti-scratch shoe cover
- 1 Kitbox
- 1 Straight/round cut guide (option)
- 1 Parallel guide (option)
- 1 Instruction manual

- Check for damage to the tool, parts or accessories which may have occurred during transport.
- Take the time to thoroughly read and understand this manual prior to operation.

## Description (fig. A)

Your cordless jigsaw DW933K(2) has been designed for professional cutting of wood, steel, aluminium and PVC.

- 1 Variable speed switch
- 2 Lock-off button
- 3 Pendulum stroke selector
- 4 Shoe lever
- 5 Shoe
- 6 Guide roller
- 7 Chip extraction shroud
- 8 Blade holder
- 9 Lever for sawdust blower
- 10 Rotating handle for DSS system
- 11 Battery pack

## Charger

Your DeWALT charger accepts battery packs ranging from 7.2 V to 18 V.

- 11 Battery pack
- 12 Release buttons
- 13 Charger
- 14 Charging indicator (red)

## Electrical safety

The electric motor has been designed for one voltage only. Always check that the battery pack power corresponds to the voltage on the rating plate. Also make sure that the voltage of your charger corresponds to that of your mains.



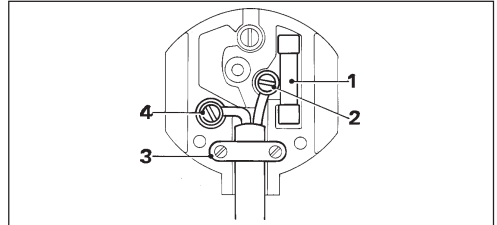
Your DeWALT charger is double insulated in accordance with EN 50144.

## Mains plug replacement (U.K. & Ireland only)

- Should your mains plug need replacing and you are competent to do this, proceed as instructed below. If you are in doubt, contact an authorized DeWALT repair agent or a qualified electrician.
- Disconnect the plug from the supply.
- Cut off the plug and dispose of it safely; a plug with bared copper conductors is dangerous if engaged in a live socket outlet.
- Only fit 13 Amperes BS1363A approved plugs fitted with the correctly rated fuse (1).
- The cable wire colours, or a letter, will be marked at the connection points of most good quality plugs.

Attach the wires to their respective points in the plug (see below). Brown is for Live (L) (2) and Blue is for Neutral (N) (4).

- Before replacing the top cover of the mains plug ensure that the cable restraint (3) is holding the outer sheath of the cable firmly and that the two leads are correctly fixed at the terminal screws.



Never use a light socket.

Never connect the live (L) or neutral (N) wires to the earth pin marked E or  $\perp$ .

## Using an extension cable

An extension cord should not be used unless absolutely necessary. Use an approved extension cable suitable for the power input of your charger (see technical data). The minimum conductor size is 0.5 mm<sup>2</sup>; the maximum length is 30 m.

## Assembly and adjustment



Prior to assembly and adjustment, always remove the battery pack.



Always switch OFF the tool before inserting or removing the battery pack.

## Battery pack (fig. A)

### Charging the battery pack

When charging the battery pack for the first time, or after prolonged storage, it will only accept an 80% charge. After several charge and discharge cycles, the battery pack will attain full capacity. Always check the mains prior to charging the battery pack. If the mains is functioning but the battery pack does not charge, take your charger to an authorised DeWALT repair agent. Whilst charging, the charger and the battery pack may become warm to touch. This is a normal condition and does not indicate a problem.





Do not charge the battery pack at ambient temperatures  $<4\text{ }^{\circ}\text{C}$  or  $>40\text{ }^{\circ}\text{C}$ . Recommended charging temperature: approx.  $24\text{ }^{\circ}\text{C}$ .

- To charge the battery pack (11), insert it into the charger (13) as shown and plug in the charger. Be sure that the battery pack is fully seated in the charger. The red charging indicator (14) will blink. After approx. 1 hour, it will stop blinking and remain on. The battery pack is now fully charged. The battery pack can be removed at any time or left in the connected charger indefinitely.

#### Inserting and removing the battery pack

- Insert the battery pack into the grip until it clicks in place.
- To remove the battery pack, press the two release buttons (12) simultaneously and pull the pack out of the grip.

#### Fitting and removing a saw blade (fig. A, B & I)

The DEWALT tool-free system ensures quick and easy changing of saw blades.

- Pull the rotating handle (10) up completely.
- Unlock the handle by rotating it as shown.
- Insert the saw blade into the blade holder (8) guiding the back of the blade into the groove of the guide roller (6).
- Turn the rotating handle (10) towards locked position until a click is heard.
- Press the rotating handle halfway down (freewheeling position) and continue rotating the handle towards locked position.
- Press the handle (10) down completely.
- To remove the saw blade proceed in reverse order.

#### Setting the bevel angle (fig. C)

The adjustable shoe (5) allows cutting of LH and RH bevel angles up to  $45^{\circ}$ . The  $0^{\circ}$  and  $45^{\circ}$  positions are preset.

- Release the shoe lever (4).
- Slide the shoe (5) away from the saw blade.
- Tilt the shoe and set the desired bevel angle with the help of the scale.
- Fine-tune the bevel angle and tighten the shoe lever (4).
- To secure the  $0^{\circ}$  and  $45^{\circ}$  positions, slide the shoe back to the front position.

#### Setting the sawdust blower (fig. A)

The sawdust blower conducts an adjustable stream of air to the saw blade to keep the workpiece clear of sawdust during operation.

- Set the sawdust blower using the lever (9). It has two levels:
  - OFF** For working with metals, when using coolants and lubricants and for use with dust extraction.
  - ON** For working with wood and similar materials in high speed.

#### Mounting and removing the anti-splinter shoe insert (fig. D)

The anti-splinter shoe insert (15) which fits close to the saw blade prevents splintering of the workpiece.

- Mount the anti-splinter shoe insert (15) into the shoe as shown.
- To remove the anti-splinter shoe insert do the above process in reverse order.

#### Mounting and removing the plastic anti-scratch shoe cover (fig. E)

The anti-scratch shoe cover (16) prevents damage to the surface of (sensitive) workpieces.

- Click the cover onto the shoe as shown.

#### Setting the pendulum stroke (fig. F)

- Slide the selector (3) to position 0 for fine cuts in thin workpieces. Use position 2 for thick workpieces only. Use position 1 for any other cuts.

#### Installing the parallel fence (fig. G)

- Install the parallel fence (17) as shown.

#### Installing the trammel bar (fig. H)

- Install the trammel bar (18) as shown.
- Secure the trammel bar in the centre of the hole to be cut.

#### Instructions for use



- Always observe the safety instructions and applicable regulations.
- Make sure your workpiece is well secured. Remove nails, screws and other fasteners that may damage the blade.
- Check that there is sufficient space for the blade underneath the workpiece.

Do not cut materials that are thicker than the maximum cutting depth.

- Use sharp saw blades only. Damaged or bent saw blades must be removed immediately.
- Never run your tool without a saw blade.
- For optimal results, move the tool smoothly and constantly over the workpiece. Do not exert lateral pressure on the saw blade. Keep the shoe flat on the workpiece. When sawing curves, circles or other round shapes, push the tool gently forward.
- Wait until the tool has come to a standstill before removing the saw blade from the workpiece. After sawing the blade may be very hot. Do not touch.

### Switching ON and OFF (fig. A)

For safety reasons your tool is equipped with a lock-off button (2).

- Switching ON: press the lock-off button (2) to unlock the tool and press the variable speed switch (1). The sawing speed of the tool varies with the pressure exerted on the variable speed switch.
- Switching OFF: release the variable speed switch (1).



After using the tool for an extended period on low speed settings, run it for approx. 3 minutes on maximum no-load speed.

### Sawing in wood

- If necessary, draw a cutting line.
- Switch the tool ON.
- Hold the tool against the workpiece and follow the line.
- For sawing parallel to the edge of your workpiece, install the parallel fence and guide your jigsaw along the workpiece as shown in figure G.

### Sawing in wood using a pilot hole

- If necessary, draw a cutting line.
- Drill a hole ( $\varnothing$  min. 12 mm) and introduce the saw blade.
- Switch the tool on.

- Follow the line.
- For cutting perfectly round shapes, install the trammel bar and set it to the required radius.

### Sawing up to a projecting edge (fig. C)

- Remove the straight/round cut guide, if installed.
- Set the pendulum stroke selector to 0.
- Release the shoe lever (4).
- Push the shoe (5) all the way backward.
- Tighten the shoe lever (4).
- Switch the tool on.

### Sawing in metal

- Mount an appropriate saw blade.
- Proceed as described above.



Use a cooling lubricant (cutting oil) to prevent overheating of the saw blade or the workpiece.

### Sawing circles (fig. H)

- Install the trammel bar as shown.

Consult your dealer for further information on the appropriate accessories.

## Maintenance

Your DeWALT Power Tool has been designed to operate over a long period of time with a minimum of maintenance. Continuous satisfactory operation depends upon proper tool care and regular cleaning.



### Lubricating the guide roller (fig. I)

- Lubricate the guide roller (6) at regular intervals to prevent jamming.



### Cleaning

- Unplug the charger before cleaning the housing with a soft cloth.
- Remove the battery pack before cleaning your Power Tool.
- Keep the ventilation slots clear and regularly clean the housing with a soft cloth.

## Environment



### Rechargeable battery pack

This long life battery pack must be recharged when it fails to produce sufficient power on jobs which were easily done before. At the end of its technical life, discard it with due care for our environment:

- Run the battery pack down completely, then remove it from the tool.
- NiCd cells are recyclable. Take them to your dealer or a local recycling station. The collected battery packs will be recycled or disposed of properly.



### Unwanted tools

Take your tool to an authorised DeWALT repair agent where it will be disposed of in an environmentally safe way.

## GUARANTEE

### • 30 DAY NO RISK SATISFACTION GUARANTEE •

If you are not completely satisfied with the performance of your DeWALT tool, simply return it within 30 days, complete as purchased, to the point of purchase, for a full refund or exchange. Proof of purchase must be produced.

### • ONE YEAR FREE SERVICE CONTRACT •

If you need maintenance or service for your DeWALT tool, in the 12 months following purchase, it will be undertaken free of charge at an authorized DeWALT repair agent. Proof of purchase must be produced. Includes labour and spare parts for Power Tools. Excludes accessories.

### • ONE YEAR FULL WARRANTY •

If your DeWALT product becomes defective due to faulty materials or workmanship within 12 months from the date of purchase, we guarantee to replace all defective parts free of charge or, at our discretion, replace the unit free of charge provided that:

- The product has not been misused.
- Repairs have not been attempted by unauthorized persons.
- Proof of purchase date is produced.

This guarantee is offered as an extra benefit and is additional to consumers statutory rights.

For the location of your nearest authorized DeWALT repair agent, please use the appropriate telephone number on the back of this manual.