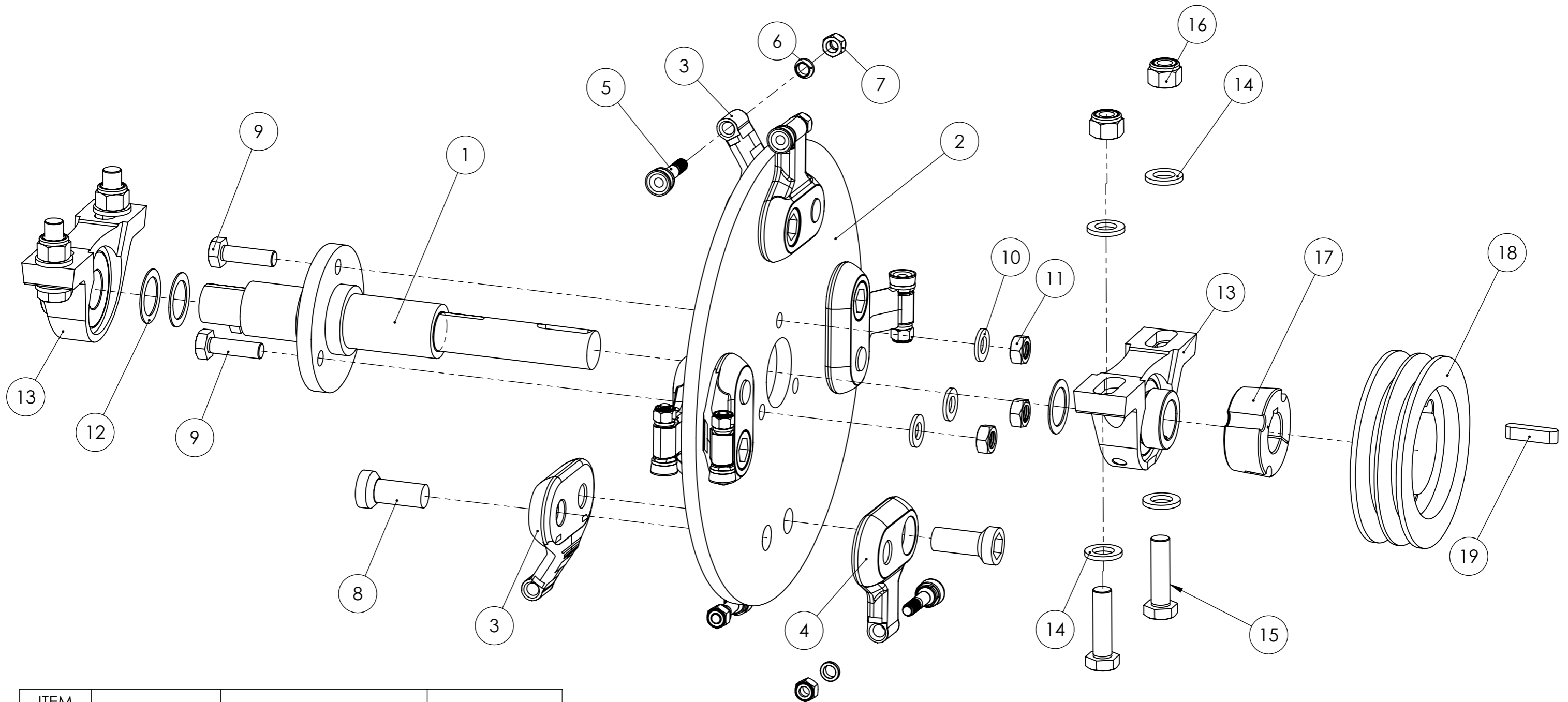


Tracmaster Ltd
Tel: +44 (0) 144 247689
www.camon.co.uk

Parts Diagram
CAMON SG30 Stump Grinder

VALID FROM	MAY 2016
SERIAL NUMBER	A08-10000
REVISION	A



ITEM NO.	PartNo	DESCRIPTION	Default/QTY.
1	80006	Rotor Shaft	1
2	80007	Rotor Disc	1
3	500LP-A	Angled Pocket	4
4	500LP-S	Straight Pocket	4
5	500TH-R	Tooth	8
6	500-Spacer	Spacer	8
7	500-Nut	Locknut	8
8	LP134	Tooth Bolt	8
9	31112212	Bolt	3
10	31411105	Washer	3

ITEM NO.	PartNo	DESCRIPTION	Default/QTY.
11	31241105	Metal Lock	3
12	80025	Shim	3
13	80005	Bearing	2
14	TL12926	Washer	8
15	31112263	Bolt	4
16	31241120	Nyloc	4
17	80021B	Bush	1
18	80021P	Pulley	1
19	90977	Key	1

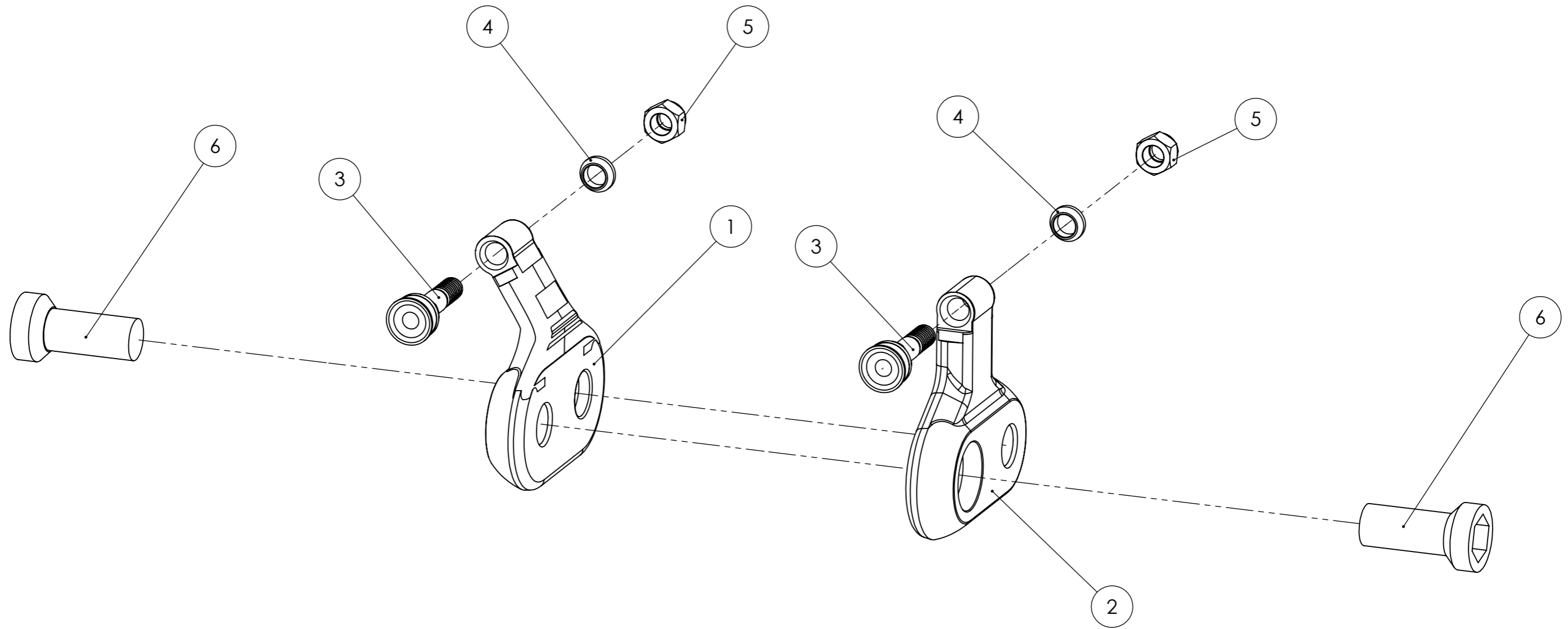
Tracmaster Ltd
 Tel: +44 (0) 144 247689
 www.camon.co.uk

Parts Diagram

CAMON SG30 Stump Grinder

Rotor Shaft

VALID FROM	MAY 2016
SERIAL NUMBER	A08-10000
REVISION	A



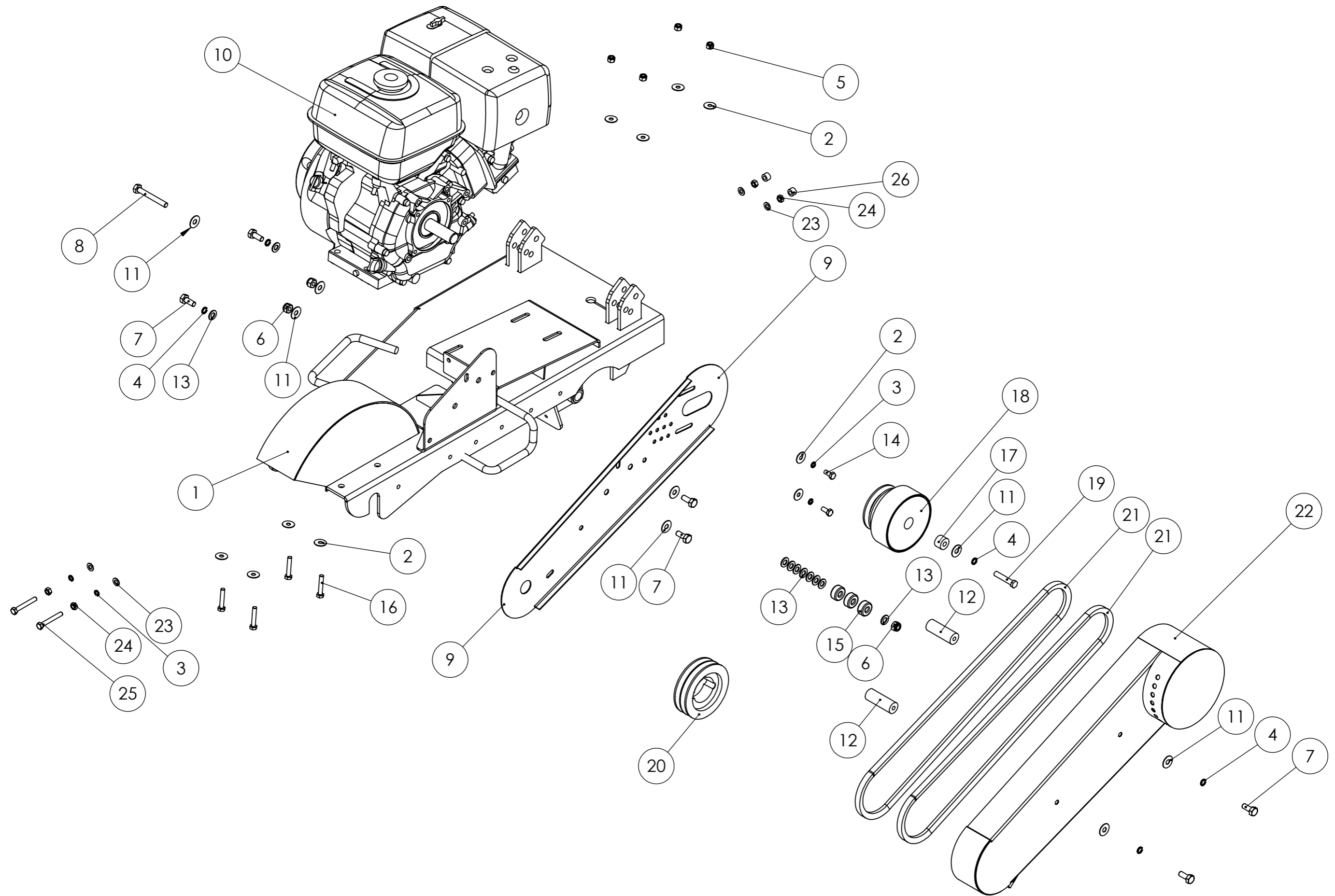
ITEM NO.	PartNo	DESCRIPTION	Teeth/QTY.
1	500LP-A	Angled Pocket	1
2	500LP-S	Straight Pocket	1
3	500TH-R	Tooth	2
4	500-Spacer	Spacer	2
5	500-Nut	Locknut	2
6	LP134	Tooth Bolt	2

Tracmaster Ltd
 Tel: +44 (0) 144 247689
 www.camon.co.uk

Parts Diagram
CAMON SG30 Stump Grinder

Teeth

VALID FROM	MAY 2016
SERIAL NUMBER	A08-10000
REVISION	A



Tracmaster Ltd
 Tel: +44 (0) 144 247689
 www.camon.co.uk

Parts Diagram
CAMON SG30 Stump Grinder

Engine & DriveSystem

VALID FROM	MAY 2016
SERIAL NUMBER	A08-10000
REVISION	A

ITEM NO.	PartNo	DESCRIPTION	Engine & Drive Train/QTY.
1	80001	Chassis	1
2	60065	Penny washer	11
3	60075	Spring Washer	4
4	TCLAWKS1	Spring Washer	5
5	31241080	Nyloc	4
6	31241100	Nyloc	3
7	3112219	Bolt	6
8	31112217	Hex Bolt	1
9	80016	Rear Belt Guard	1
10	GX390B	Honda Engine	1
11	40015	Penny washer	8
12	80010	Belt Guard Spacer	2
13	31411105	Washer	10
14	31100003	Hex Bolt	2
15	80022	Bearing	3
16	31112155	Hex Bolt	4
17	80011	Spacer	1
18	761636	Clutch	1
19	40038	Bolt	1
20	80021P	Pulley	1
21	80020	Drive Belt	2
22	80018	Belt Guard	1
23	31411084	Washer	4
24	31211080	Nut	4
25	31112156	Hex Bolt	2
26	80051	Engine Tension Spacer	2

Tracmaster Ltd

Tel: +44 (0) 144 247689

www.camon.co.uk

Parts Diagram

CAMON SG30 Stump Grinder

Engine & Drive System Parts Table

VALID FROM

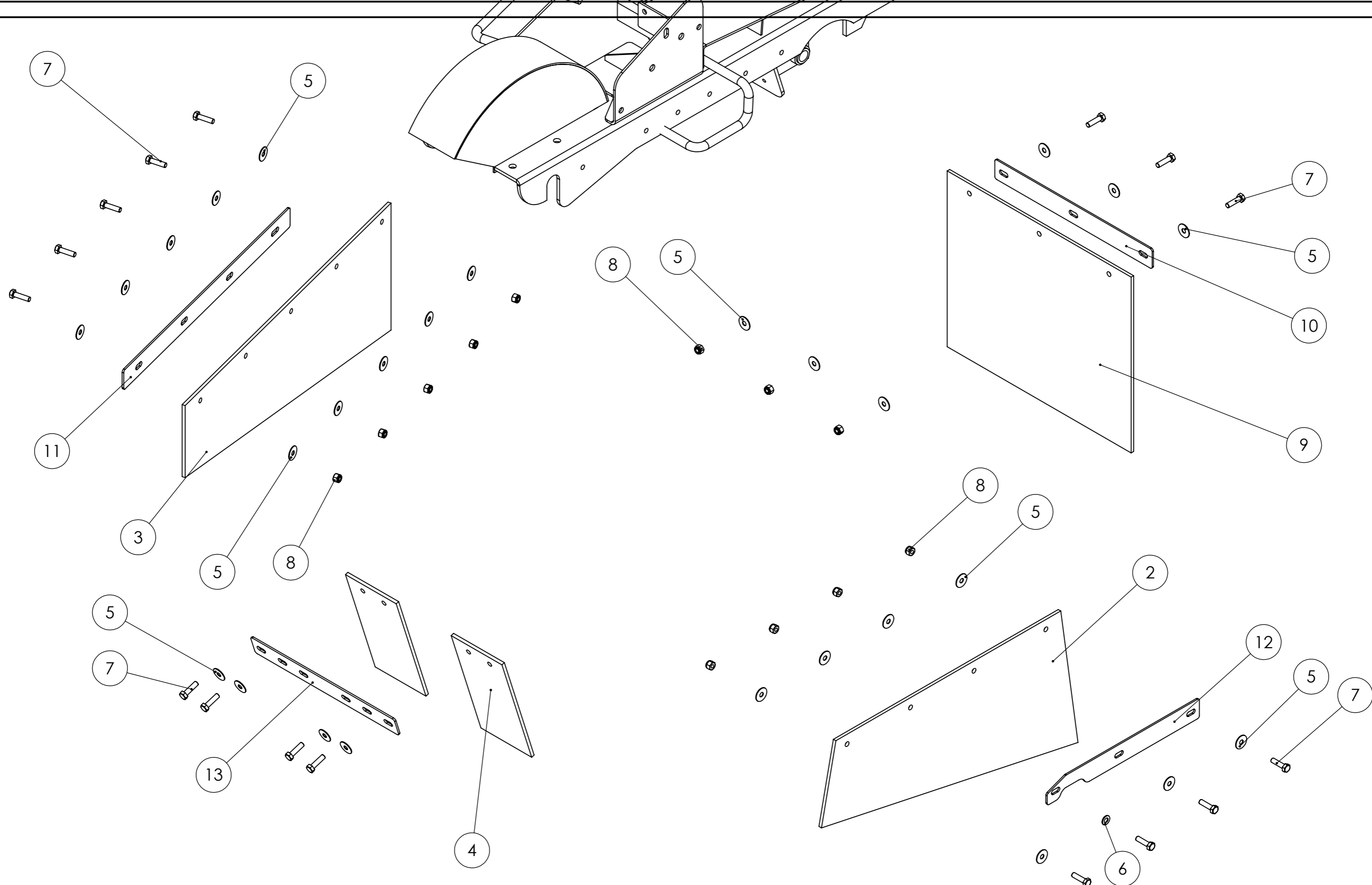
MAY 2016

SERIAL NUMBER

A08-10000

REVISION

A



Tracmaster Ltd
 Tel: +44 (0) 144 247689
 www.camon.co.uk

Parts Diagram
CAMON SG30 Stump Grinder

Chassis & Guards

VALID FROM	MAY 2016
SERIAL NUMBER	A08-10000
REVISION	A

ITEM NO.	PartNo	DESCRIPTION	Rubber Guards/QTY.
1	80001	Chassis	1
2	80033	LH Rubber Curtain	1
3	80034	RH Rubber Curtain	1
4	80035	Under Chassis Rubber	2
5	60065	Penny washer	27
6	31411084	Washer	1
7	31112152	Hex Bolt	16
8	31241080	Nyloc	12
9	80036	Rear Rubber Flap	1
10	80040	Rear Guard Plate	1
11	80038	RH Guard Plate	1
12	80037	LH Guard Plate	1
13	80039	Under Chassis Guard Retainer	1

Tracmaster Ltd

Tel: +44 (0) 144 247689

www.camon.co.uk

Parts Diagram

CAMON SG30 Stump Grinder

Chassis & Guards Parts Table

VALID FROM

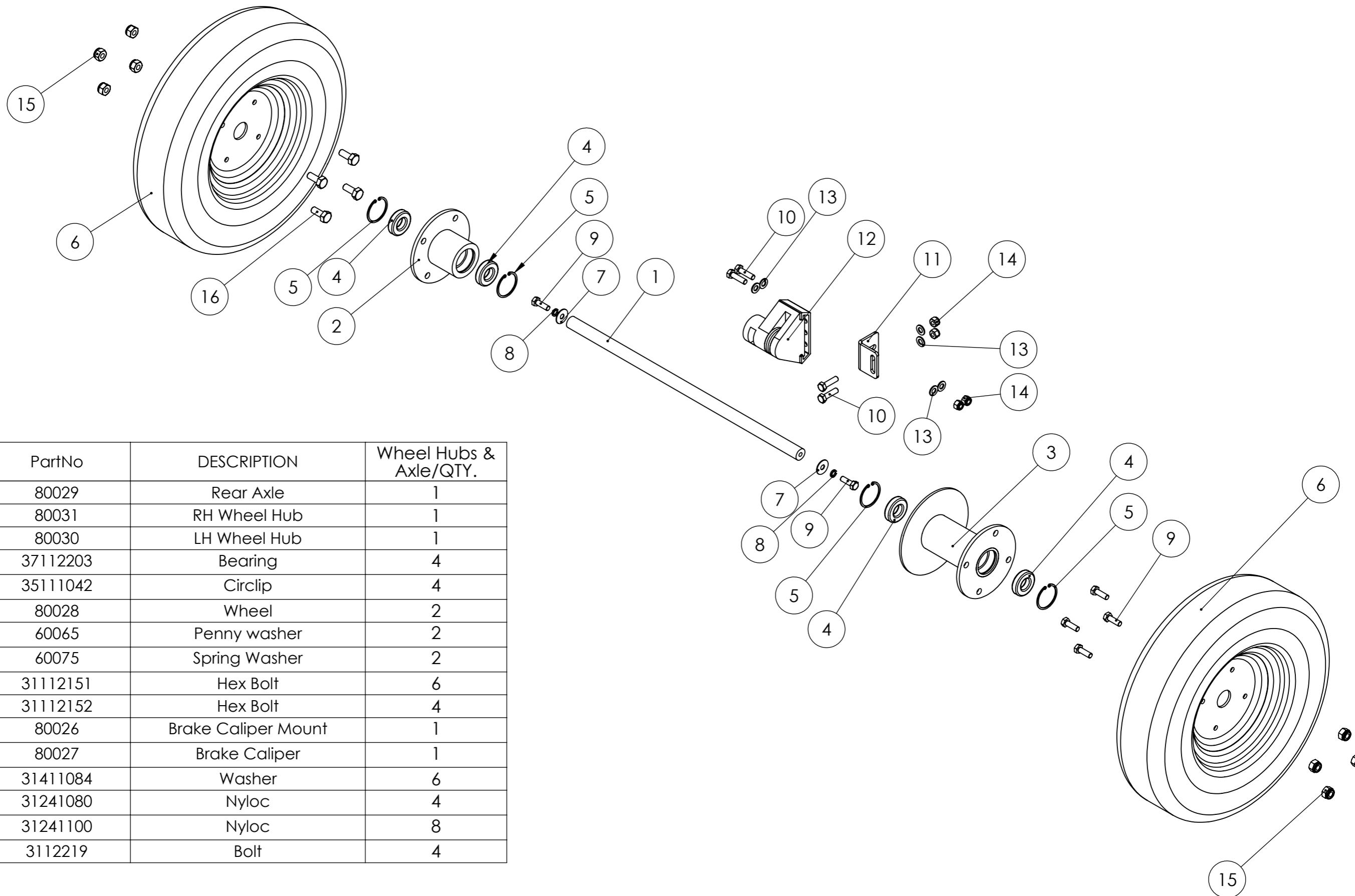
MAY 2016

SERIAL NUMBER

A08-10000

REVISION

A



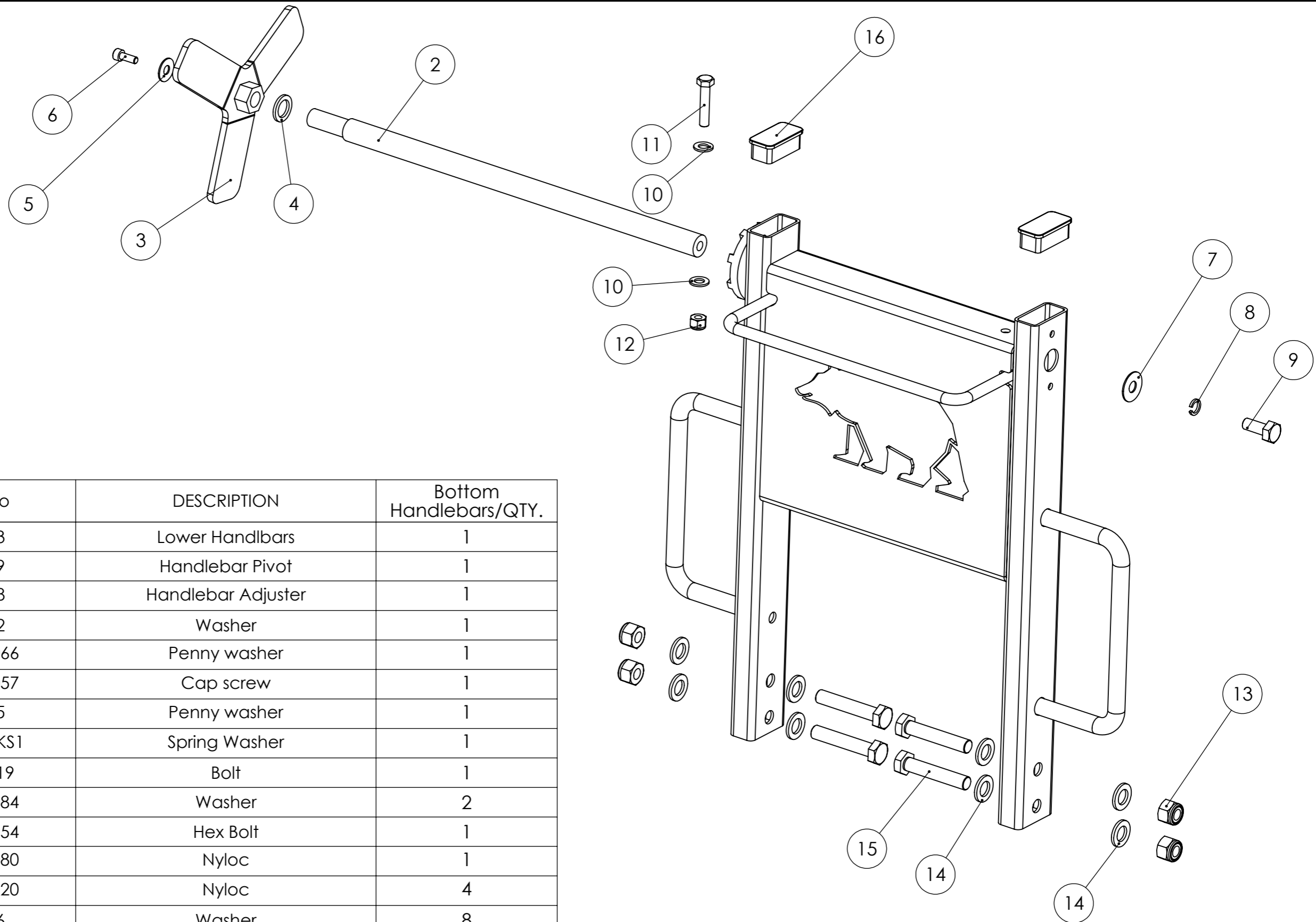
ITEM NO.	PartNo	DESCRIPTION	Wheel Hubs & Axle/QTY.
1	80029	Rear Axle	1
2	80031	RH Wheel Hub	1
3	80030	LH Wheel Hub	1
4	37112203	Bearing	4
5	35111042	Circlip	4
6	80028	Wheel	2
7	60065	Penny washer	2
8	60075	Spring Washer	2
9	31112151	Hex Bolt	6
10	31112152	Hex Bolt	4
11	80026	Brake Caliper Mount	1
12	80027	Brake Caliper	1
13	31411084	Washer	6
14	31241080	Nyloc	4
15	31241100	Nyloc	8
16	3112219	Bolt	4

Tracmaster Ltd
 Tel: +44 (0) 144 247689
 www.camon.co.uk

Parts Diagram
CAMON SG30 Stump Grinder

Wheel Hubs

VALID FROM	MAY 2016
SERIAL NUMBER	A08-10000
REVISION	A



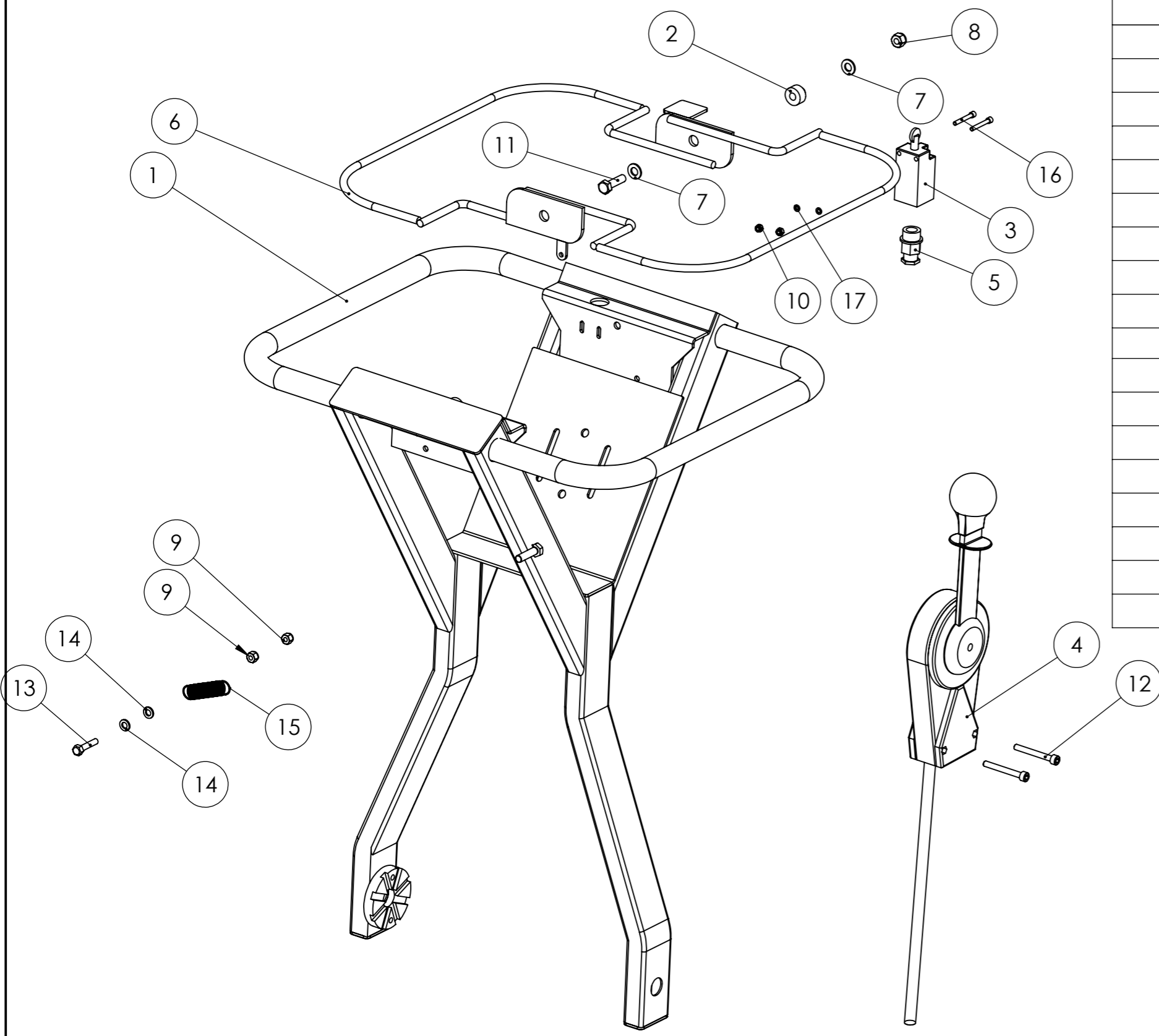
ITEM NO.	PartNo	DESCRIPTION	Bottom Handlebars/QTY.
1	80003	Lower Handlebars	1
2	80009	Handlebar Pivot	1
3	80008	Handlebar Adjuster	1
4	80052	Washer	1
5	31411066	Penny washer	1
6	31152057	Cap screw	1
7	40015	Penny washer	1
8	TCLAWKS1	Spring Washer	1
9	3112219	Bolt	1
10	31411084	Washer	2
11	31112154	Hex Bolt	1
12	31241080	Nyloc	1
13	31241120	Nyloc	4
14	12926	Washer	8
15	31112282	Bolt	4
16	80046	Plastic End Cap	2

Tracmaster Ltd
 Tel: +44 (0) 144 247689
 www.camon.co.uk

Parts Diagram
CAMON SG30 Stump Grinder

Bottom Handlebars

VALID FROM	MAY 2016
SERIAL NUMBER	A08-10000
REVISION	A



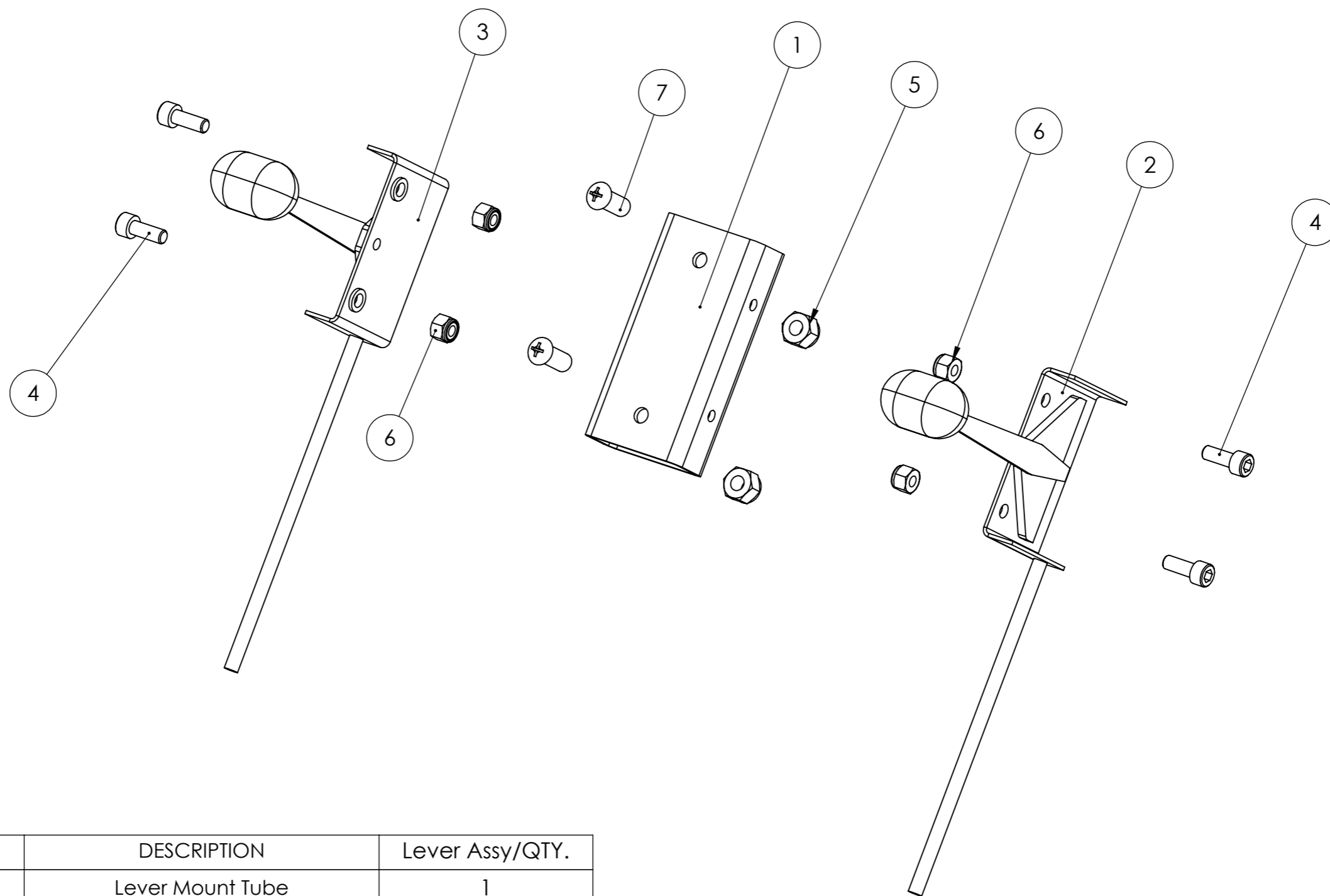
ITEM NO.	PartNo	DESCRIPTION	Top Handlebars/QTY.
1	80002	Top Handlebars	1
2	80023	OPC Spacer	2
3	480129	Switch	1
4	80015	Brake Lever	1
5	80014	Switch Gland	1
6	80013	OPC Lever	1
7	31411084	Washer	3
8	31241080	Nyloc	1
9	31241060	Nut	2
10	80053	M4 Nyloc	2
11	31112152	Hex Bolt	2
12	12074	Bolt	2
13	31112152	Hex Bolt	1
14	31411064	Washer	2
15	58049786	Tension Spring	1
16	80004	Capscrew	2
17	80054	Washer	2
18	80046	Plastic End Cap	2

Tracmaster Ltd
 Tel: +44 (0) 144 247689
 www.camon.co.uk

Parts Diagram
CAMON SG30 Stump Grinder

Top Handlebars

VALID FROM	MAY 2016
SERIAL NUMBER	A08-10000
REVISION	A



ITEM NO.	PartNo	DESCRIPTION	Lever Assy/QTY.
1	80024	Lever Mount Tube	1
2	80041	Throttle Lever & Cable	1
3	80042	Choke Lever & Cable	1
4	31152057	Cap screw	4
5	31241080	Nyloc	2
6	31241060	Nut	4
7	60039MW	Bolt	2

Tracmaster Ltd
 Tel: +44 (0) 144 247689
 www.camon.co.uk

Parts Diagram
CAMON SG30 Stump Grinder

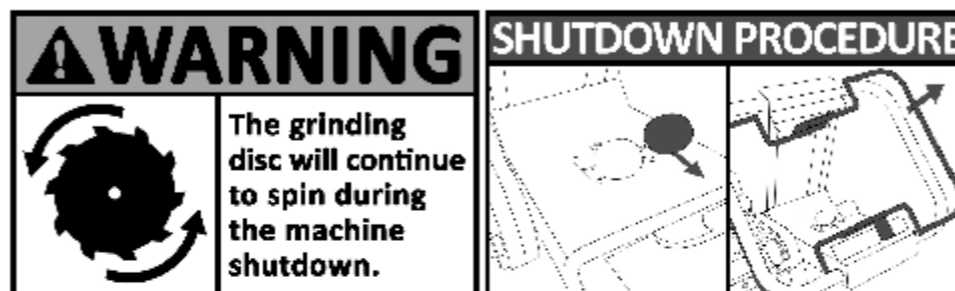
Levers

VALID FROM	MAY 2016
SERIAL NUMBER	A08-10000
REVISION	A

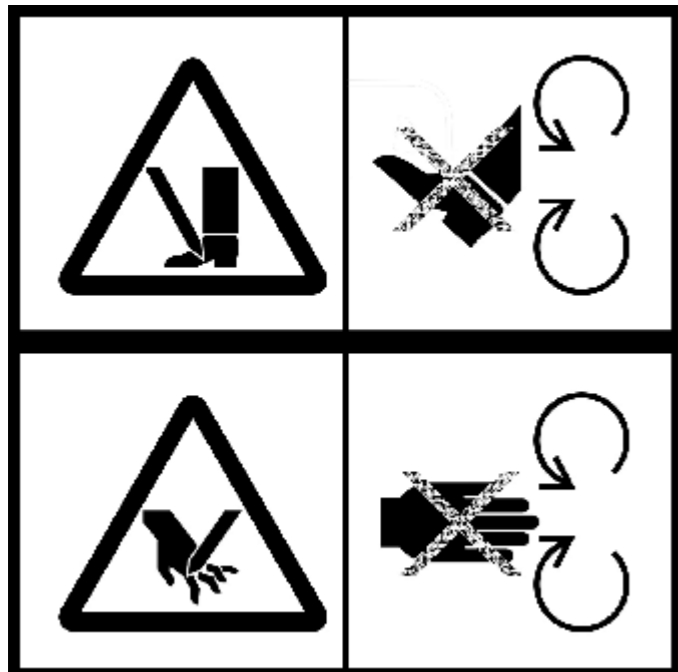
80045 SG30 Sticker

SG30

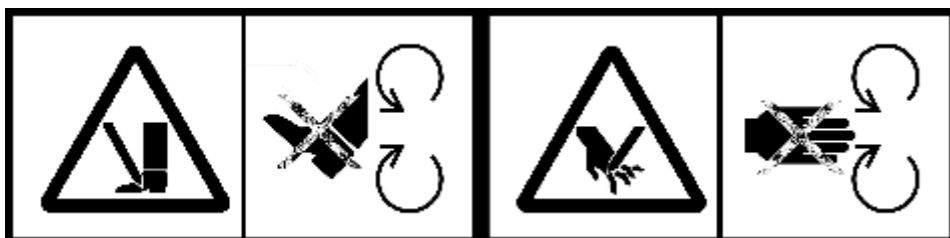
80045 Instructions Sticker



80048 Keep Hands & Feet Away Square



80047 Keep Hands & Feet Away Rectangle



80043 Mandatory PPE Sticker

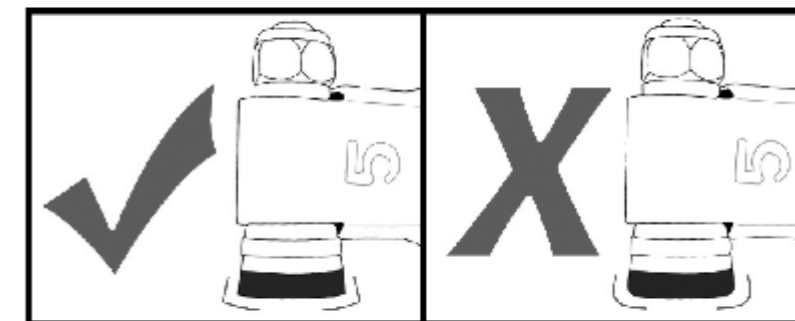


80049 Recoil Sticker



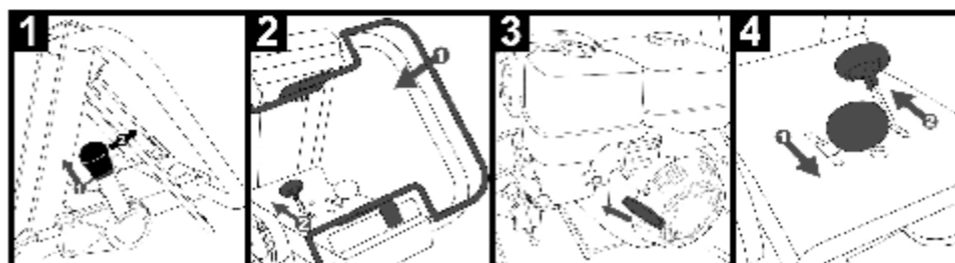
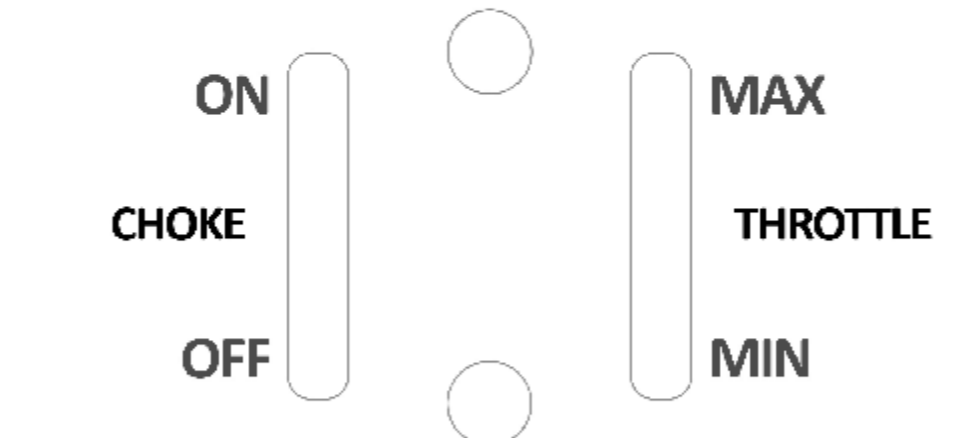
80050 Keep Teeth Sharp Sticker

ENSURE CUTTER TEETH ARE SHARP



BLUNT TEETH WILL DAMAGE THE MACHINE

80044 Warning Blade Sticker



Tracmaster Ltd
Tel: +44 (0) 144 247689
www.camon.co.uk

Parts Diagram
CAMON SG30 Stump Grinder

Stickers

VALID FROM	MAY 2016
SERIAL NUMBER	A08-10000
REVISION	A